

## DIESEL GENERATING SET



Model	SP-15P	
Standby	kVA	16.5
	kW	13
Prime	kVA	15
	kW	12
Rated Voltage	V	220 / 380
Phase		3
Rated Current	A	22
Rated Rotation Speed	r/min	1500
Frequency	Hz	50
Power Factor		0.8
Noise Level	dB(A)@7m	Silent Type : ±70

Standby: Continuous running at variable load for duration of an emergency. No overload is permitted on these ratings. In accordance with ISO 3046.  
 Prime : Continuous running at variable load for unlimited periods with 10% overload available for 1 hour in any 12 hour period. In accordance with ISO 8528,ISO 3046.



## ENGINE

Manufacturer	PERKINS
Model	403A-15G2
Engine speed rated	1500 RPM
Cycle	Four Stroke
No. Cylinders and Build	3 vertical in-line
Displacement	1.496 L
Bore and Stroke	84 mm x 90 mm
Compression ratio	22.5:1
Governor	Mechanical
Aspiration	Naturally aspirated
Fuel consumption 110%	6 L/hr
Fuel consumption 100% (of the Prime Power)	5 L/hr
Fuel consumption 75% (of the Prime Power)	3.75 L/hr
Fuel consumption 50% (of the Prime Power)	2.5 L/hr
Fuel Tank Capacity	47 L
Lubrication Capacity	6 L
Coolant Capacity	6 L
Starting Voltage	12 Volt DC

## ALTERNATOR

Manufacturer	GENSO
Number of phase power	3
Factor (Cos Phi)	0.8
Bearing	1
Exciter type	Brushless, Self-excitation
Insulation : class, temperature rise	H
Degree of protection	IP23
Winding Pitch	2/3
Winding Leads	12

## CONTROL SYSTEM

The control panel is equipped as follows:

### 1. Auto Mains Failure Control Panel

Panel equipments:

- Control with AMF module
- Static battery charger
- Emergency stop push button



DSE 6120

Generating set control module DSE 6120 features:

- The module is used to monitor main supply and starts and stops of a standby generating set
- Micro-processor based design,
- Automatic control of main and generator contactors
- Monitors engine performance and AC power output
- LED alarm indication
- Front panel configuration of timers and alarm trip points
- Easy push button control  
STOP/RESET - MANUAL - TEST - AUTO - MUTE ALARM -START
- Generator Volts (L-L / L-N)
- Engine oil pressure (PSI-Bar)
- Generator Ampere (L1,L2,L3)
- Engine temperature (°C&°F)
- Generator Frequency (Hz)
- Plant battery volts
- Engine hours run
- Mains Volts (Ph-Ph/Ph-N)
- Generator kVA, kWh
- Generator kW as % of rated kW setting
- Generator Cos ( $\sigma$ )

Protecting Functions:

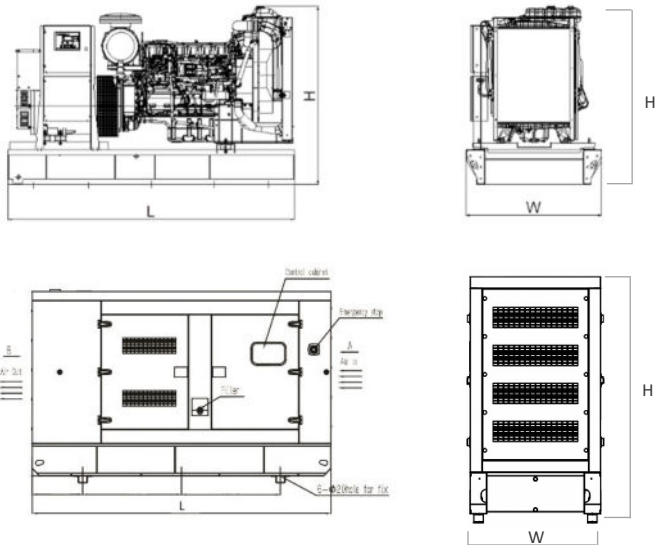
- Over and Under Speed
- Low and High Battery Volt
- Start and Stop Failure
- Charge fail
- Over Current
- Under / Over Generator Voltage
- Low Oil Pressure
- Emergency stop
- High engine temperature
- Kw overload

LED indications

- Mains available
- Generator available
- Mains on load
- Generator on load

### 2. Power Outlet Terminal Board Mounted on the Gen-set Base Frame

## GENSET OUTLINE



### Dimension & Weight :

OPEN TYPE	
Length (L)	1200 mm
Width (W)	750 mm
Height (H)	1250 mm
Weight	500 kg

SILENT TYPE	
Length (L)	1900 mm
Width (W)	850 mm
Height (H)	1170 mm
Weight	700 kg

## ADVANTAGES

- Compact design
- Easy operation and maintenance, low cost
- Every generating set is subject to a comprehensive test program which includes full load testing, checking and provision of all control and safety shut down functions testing

### CHASSIS

- The complete gen-set is mounted as whole on a heavy-duty fabricated, steel base frame
- High quality base frame complete with heavy duty engine mounting for reduce vibration
- Base frame design integrated with fuel tank (up to 650 KVA)
- The generating set can be lifted or carefully pushed / pulled by the base frame
- Dial type fuel gauge and drain plug on the fuel tank

### CANOPY

- Doors on each side
- High quality paints materials
- High quality sound proof and insulations materials could efficiently reduce noise
- Easy lifting and moving
- Emergency stop push button is installed outside of the canopy
- Exhaust silencer is protected against environment influences